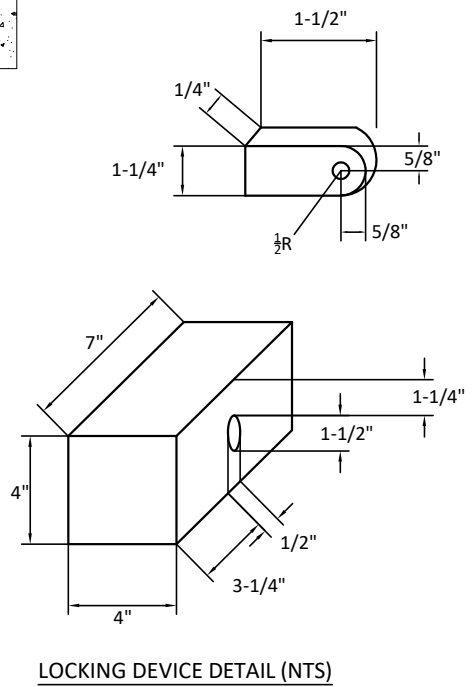


ITEM	DESCRIPTION
①	2-1/2" $\nabla$ LINE POST (.250" WALL THICKNESS)
②	HORIZONTAL RAIL 1-1/2" SQUARE TUBE (.125" WALL THICKNESS)
③	VERTICAL MEMBERS - 1" $\nabla$ (.090" WALL THICKNESS) w/SPEAR HEAD
④	4" $\nabla$ GATE POST (.250" WALL THICKNESS)
⑤	5 SACK CONCRETE (3/4" ROCK)
⑥	6" BARREL HINGE W/ GREASE ZIRK - TYPICAL OF TWO
⑦	SEE LOCKING DEVICE DETAIL
⑧	COATING - ALL METAL SURFACES SHALL BE COATED WITH #379 EPOXY, COLOR 172 ADOBE OR APPROVED EQUAL



**NOTES**

1. LOCKING DEVICE BOX TO BE MADE OF 3/16" THICKNESS STEEL

REVISION DATE: 9/10/2012

F.D.L.	SEPT. 12	<b>SAN BERNARDINO MUNICIPAL WATER DEPARTMENT</b>	<b>DRAWING NUMBER</b>
D.D.M.	MAR. 11		
D.D.M.	SEPT. 09		
W.B.H.	APRIL 08		
REVISION	DATE		
<b>WROUGHT IRON FENCE AND GATE DETAIL</b>		SBMWD	
APPROVED		DATE 07/04/2019	
SCALE: NONE	WARREN HUANG, P.E. RCE 49208		W6.12A